

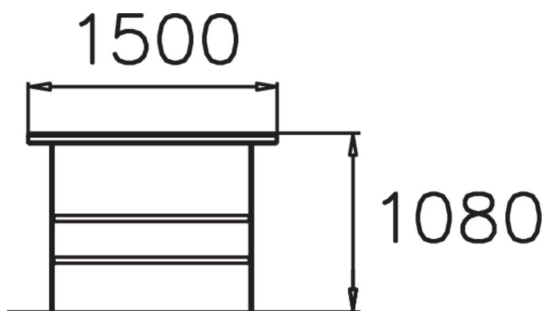
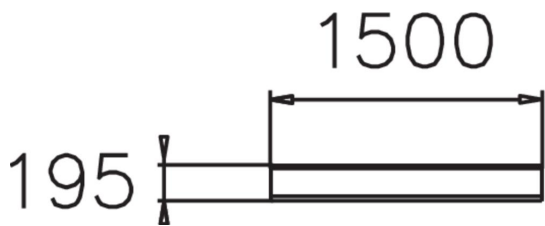
WINAM GROUP

NF7670A

RELAX RAILING EXTENSION



Relax railing - waiting for the train or bus. A standing railing with wooden lintel. The railing is 1500 mm high (c-c 1200 mm). Works well as a divider railing or somewhere to lean against. The images show a first section.



Product length, mm	1500
Product height, mm	1080
Foundation options	Deep mounting
Wood	
Metal colour	