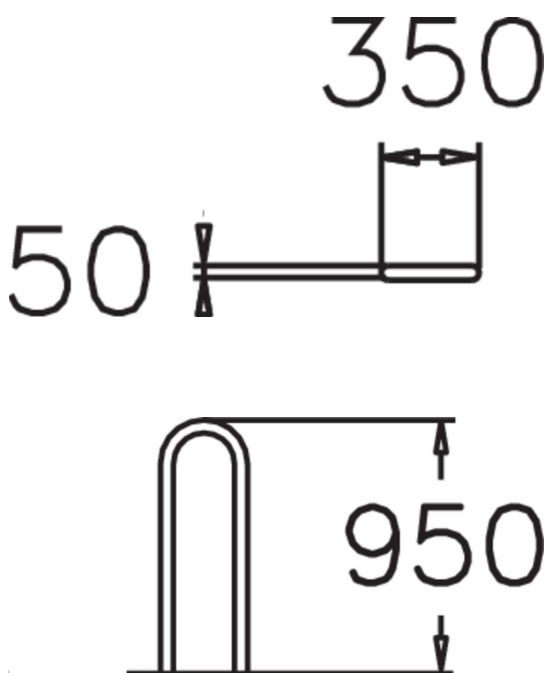




Arch-shaped cycle rack. Bågen is a simple cycle rack shaped like a high arch. Bicycles are locked from their frame to the rack on both sides of it ie two bicycles per rack. Bågen is made from angled, powder-coated steel and requires poured concrete foundation but also surface installation version is available. Lappset's other cycle parking racks include Vågen, which has the same rounded design.



Product height, mm	950
Foundation options	Deep mounting
Metal colour	